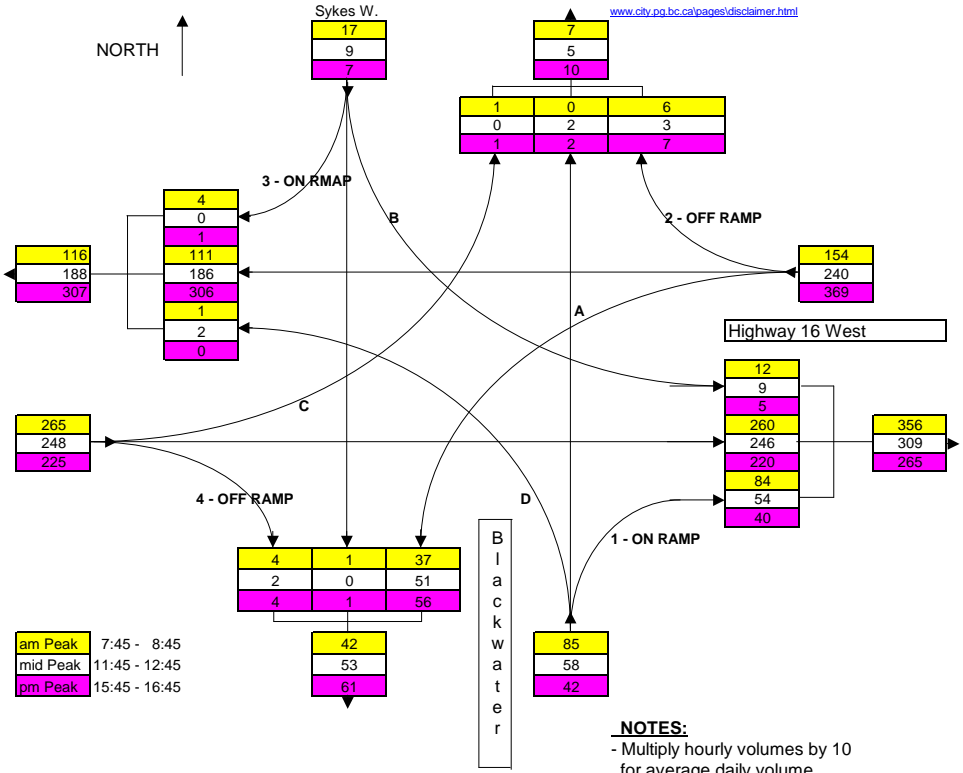


## SUMMARY OF VEHICLE MOVEMENTS PEAK HOURS

<b>LOCATION</b>	Highway 16 West at Blackwater Road		
<b>OBSERVER</b>	SAD	<b>WEATHER</b>	+25C / Sunny
		<b>DATE</b>	7-Aug-90

**NOTES:**  
 - Data accuracy not guaranteed.  
 - See disclaimer at:  
[www.city.pg.bc.ca/pages/disclaimer.html](http://www.city.pg.bc.ca/pages/disclaimer.html)



**NOTES:**  
 - Multiply hourly volumes by 10 for average daily volume.  
 - For more information, Contact (250) 561-7600