

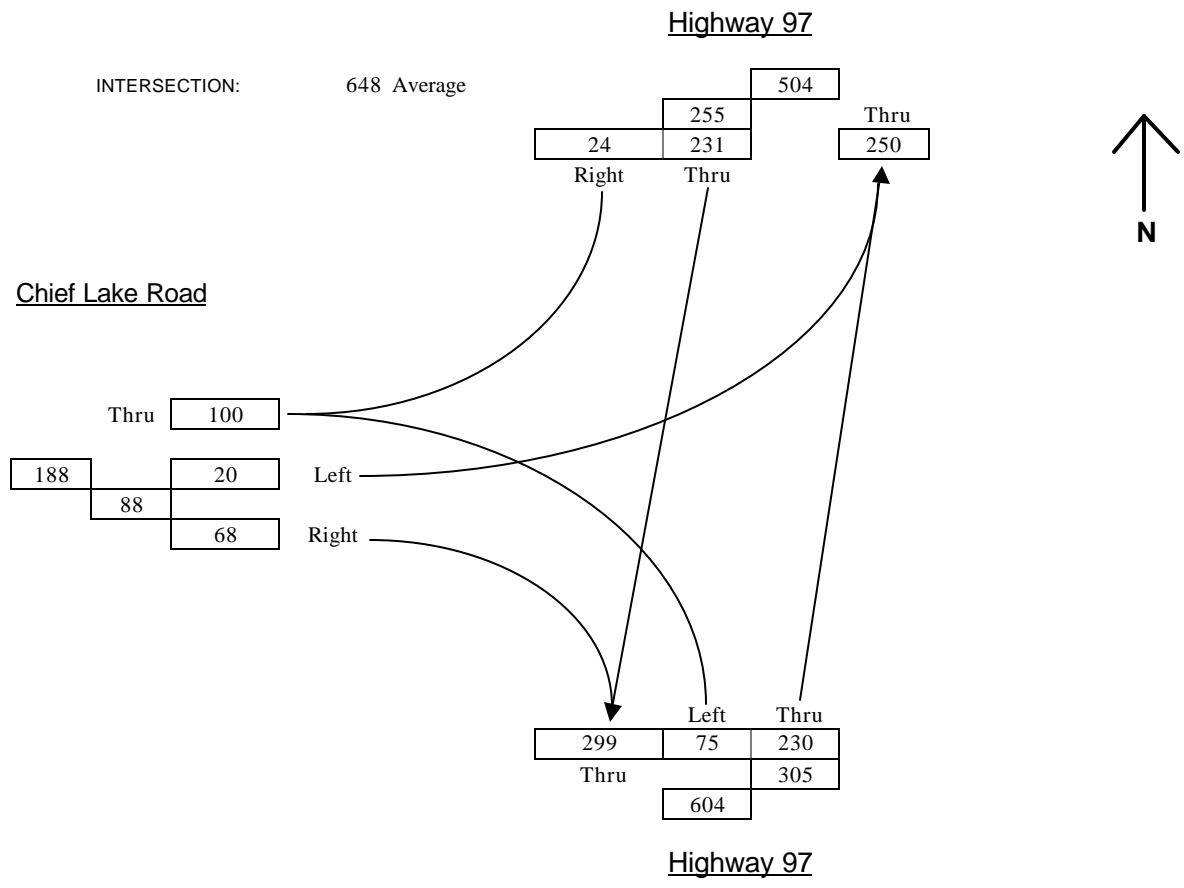
Turning Movement Flow Diagram 7 HOUR AVERAGE VOLUMES

LOCATION: Highway 97
AND Chief Lake Road

DATE: Tuesday 35661

TIME PERIODS: 7:00 9:00 11:00 13:00 15:00 18:00

WEATHER: Mostly clear



Filename: 97Corridor