

EXPLANATORY PLAN OF EASEMENT OVER PARTS OF LOTS A AND B, DISTRICT LOT 823, CARIBOO DISTRICT, PLAN BCP 9130. Pursuant to Section 99(1)(e) of the Land Title Act.

PLAN NO. BCP 9132

Deposited in the Land Title Office at New Westminster this 14 day of JAN. 2004.

B.C.G.S. 93G.097

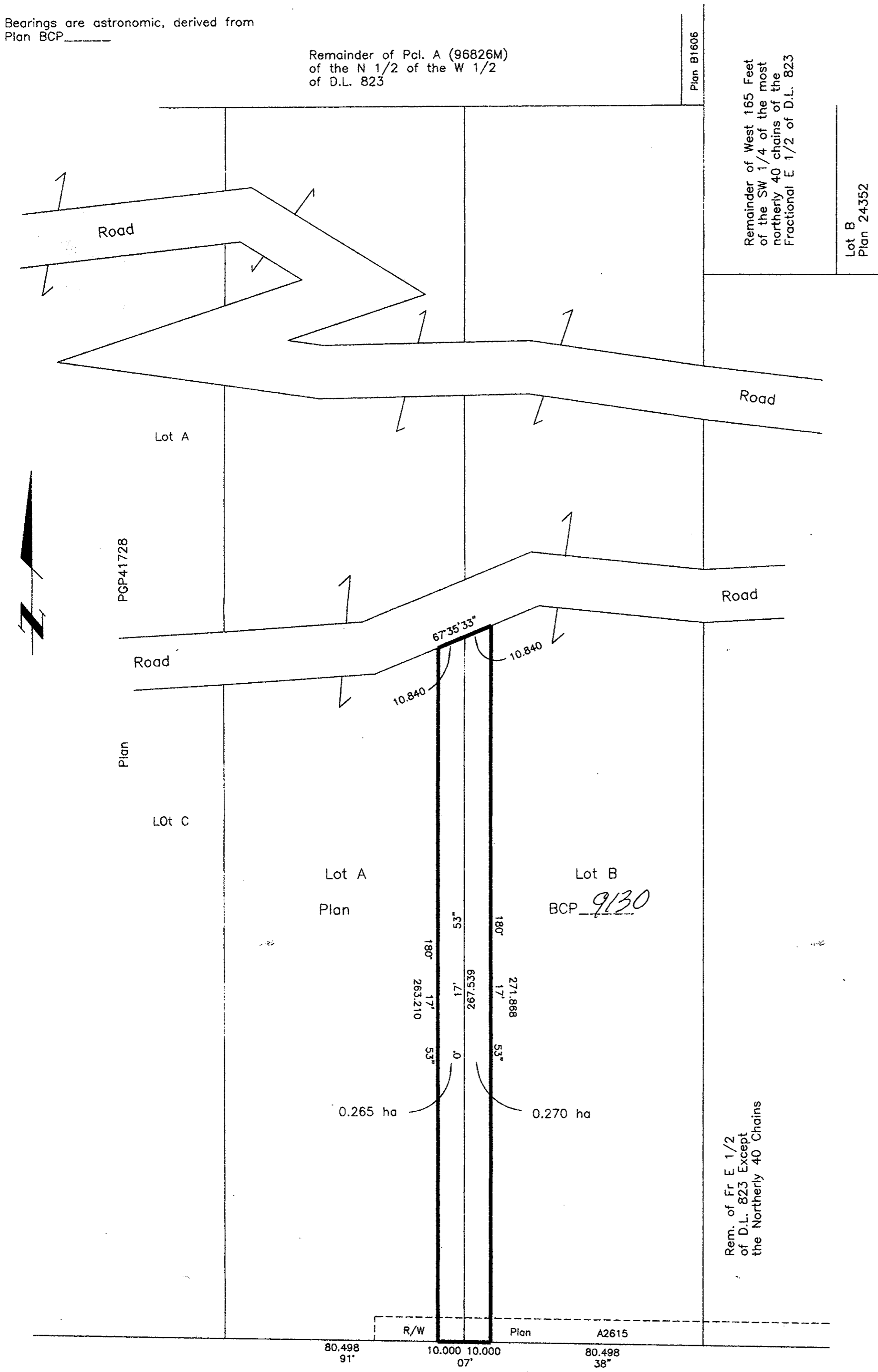
REGISTRAR

Scale: 1 : 1250 (Distances are in metres)



Bearings are astronomic, derived from Plan BCP

Ref # BW 16611



Certified Correct, according to Land Title Office Records. This 17 day of September, 2002.

Gordon Kilbride
Gordon Kilbride, B.C.L.S.

This plan lies within the Fraser-Fort George Regional District.

KILBRIDE LAND SURVEYING LTD.
British Columbia Land Surveyors
Prince George, B.C.
Ph: (250) 562-1196 Fax: 562-3656

F.B.- D.L.- 823 File No. - 000150E

P.G. Pulp Mill Road Plan H881