

**BARE LAND STRATA PLAN OF LOT 85, DISTRICT LOT 2003,
CARIBOO DISTRICT, PLAN PGP41802.**

PLAN EPS4104

THIS PLAN LIES WITHIN INTEGRATED SURVEY AREA
No. 39 PRINCE GEORGE, BC, NAD83 (CSRS) 4.0.0.BC.1
BCGS 93G.087



THE INTENDED PLOT SIZE OF THIS PLAN IS 864mm IN WIDTH BY 560mm IN HEIGHT (D SIZE) WHEN PLOTTED AT A SCALE OF 1:500.

ALL DISTANCES ARE IN METRES AND DECIMALS THEREOF.

GRID BEARINGS ARE DERIVED FROM GNSS OBSERVATIONS BETWEEN GEODETIC CONTROL MONUMENTS 86H1670 AND 86H1722.

THE UTM COORDINATES AND ESTIMATED ABSOLUTE ACCURACY ACHIEVED HAVE BEEN DERIVED FROM MASCOT PUBLISHED COORDINATES AND STANDARD DEVIATIONS FOR GEODETIC CONTROL MONUMENTS 86H1670 AND 86H1722.

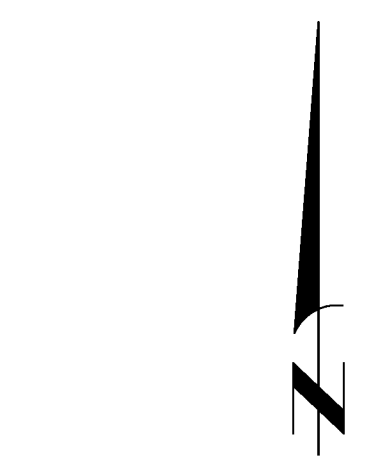
THIS PLAN SHOWS HORIZONTAL GROUND-LEVEL DISTANCES UNLESS OTHERWISE SPECIFIED. TO COMPUTE GRID DISTANCES, MULTIPLY GROUND-LEVEL DISTANCES BY THE AVERAGE COMBINED FACTOR OF 0.9994932 WHICH HAS BEEN DERIVED FROM GEODETIC CONTROL MONUMENT 86H1670.

NOTE:
THIS PLAN SHOWS ONE OR MORE WITNESS POSTS WHICH ARE NOT SET ON THE TRUE CORNER(S).
SOME POSTS AND LINES ARE EXAGGERATED FOR CLARITY.

LEGEND

SYMBOLS	DESCRIPTION
●	CONTROL MONUMENT
○	STANDARD IRON POST
⊙	COMMON PROPERTY
CSF	COMBINED SCALE FACTOR
EAA	ESTIMATED ABSOLUTE ACCURACY

GEOREFERENCING POSITIONS UTM COORDINATES, ZONE 10, NAD 83 (CSRS) 4.0.0.BC.1				
STATION	NORTHING	EASTING	EAA	CSF
86H1670	5968403.30	513361.59	0.13	0.9994932
86H1722	5967972.13	512865.06	0.14	0.9994889



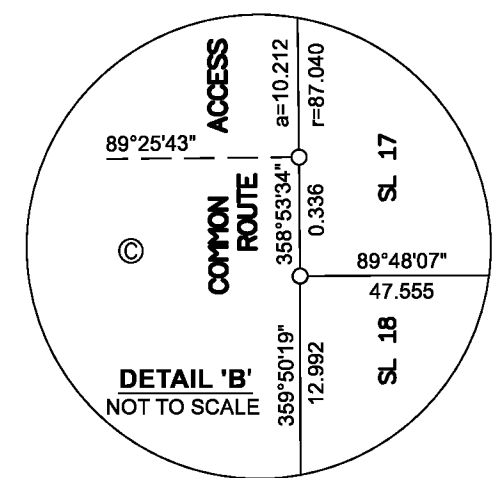
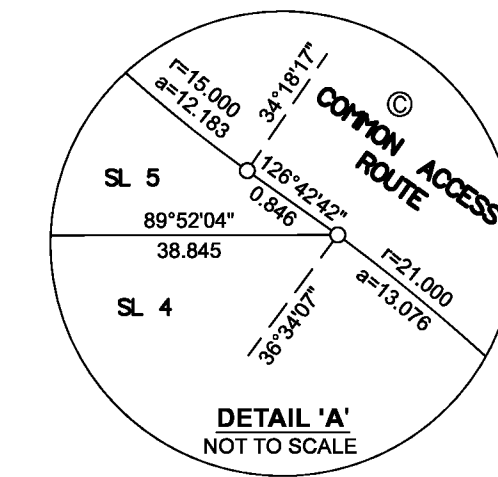
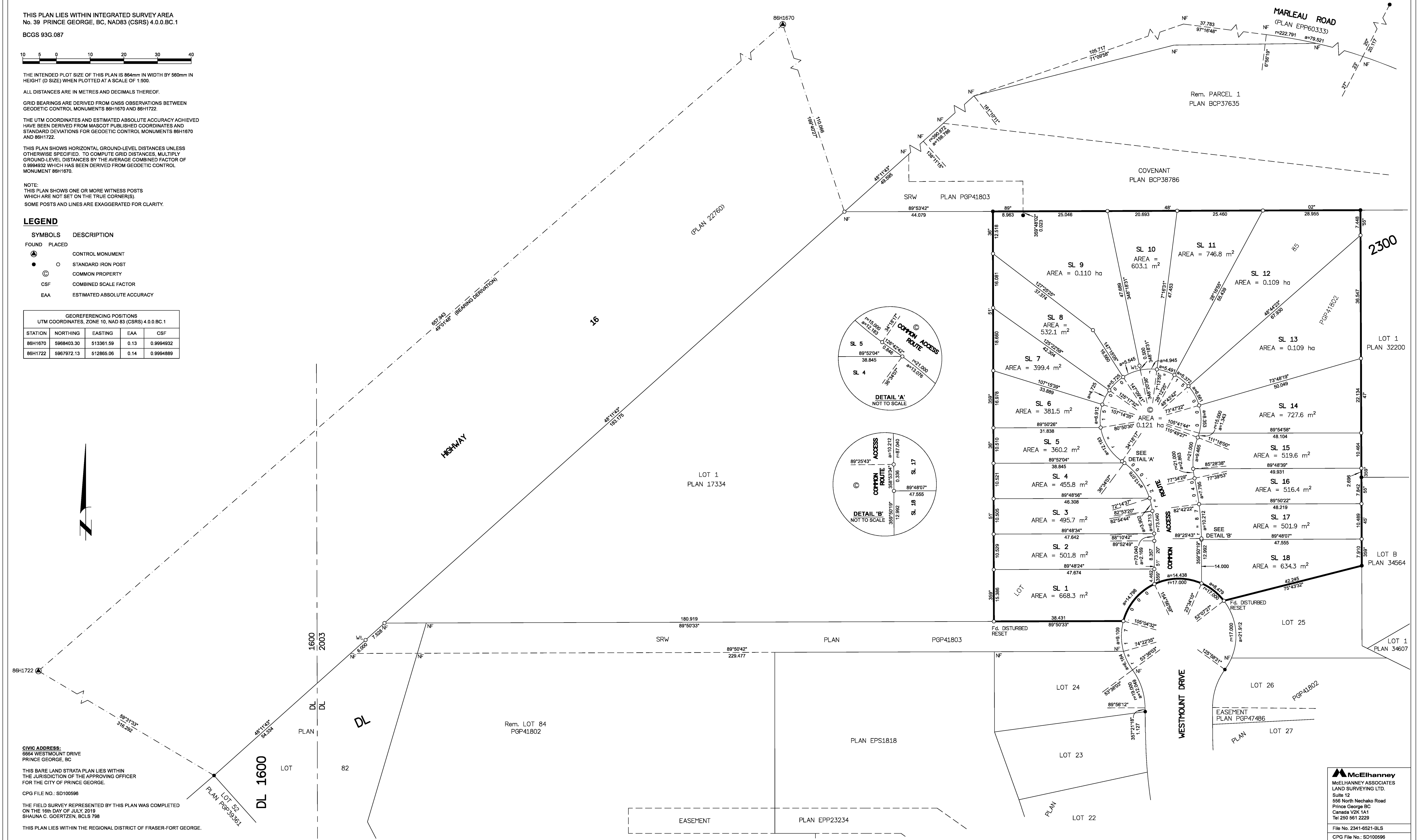
CIVIC ADDRESS:
6664 WESTMOUNT DRIVE
PRINCE GEORGE, BC

THIS BARE LAND STRATA PLAN LIES WITHIN THE JURISDICTION OF THE APPROVING OFFICER FOR THE CITY OF PRINCE GEORGE.

CPG FILE NO.: SD100596

THE FIELD SURVEY REPRESENTED BY THIS PLAN WAS COMPLETED ON THE 18th DAY OF JULY, 2019
SHAUNA C. GOERTZEN, BCLS 788

THIS PLAN LIES WITHIN THE REGIONAL DISTRICT OF FRASER-FORT GEORGE.



McElhanney
McELHANNEY ASSOCIATES
LAND SURVEYING LTD.
Suite 12
556 North Nechako Road
Prince George BC
Canada V2K 1A1
Tel 250 561 2229
File No. 2341-6521-BLS
CPG File No.: SD100596

Filed PG EPS4104 EPS4104 156-383-2583 RCVD:2019-09-26 RQST:2019-10-23 03:01 Prince George, City of