

26

PLAN OF RIGHTS-OF-WAY THROUGH
 LOTS 36 & 37, PLAN 25106
 DISTRICT LOT 754
 CARIBOO DISTRICT — BRITISH COLUMBIA
 SCALE: 1" = 50'

PLAN No 25107

Deposited in the Land Registry
 Office at Prince George, B.C. this
23rd day of July, 1979

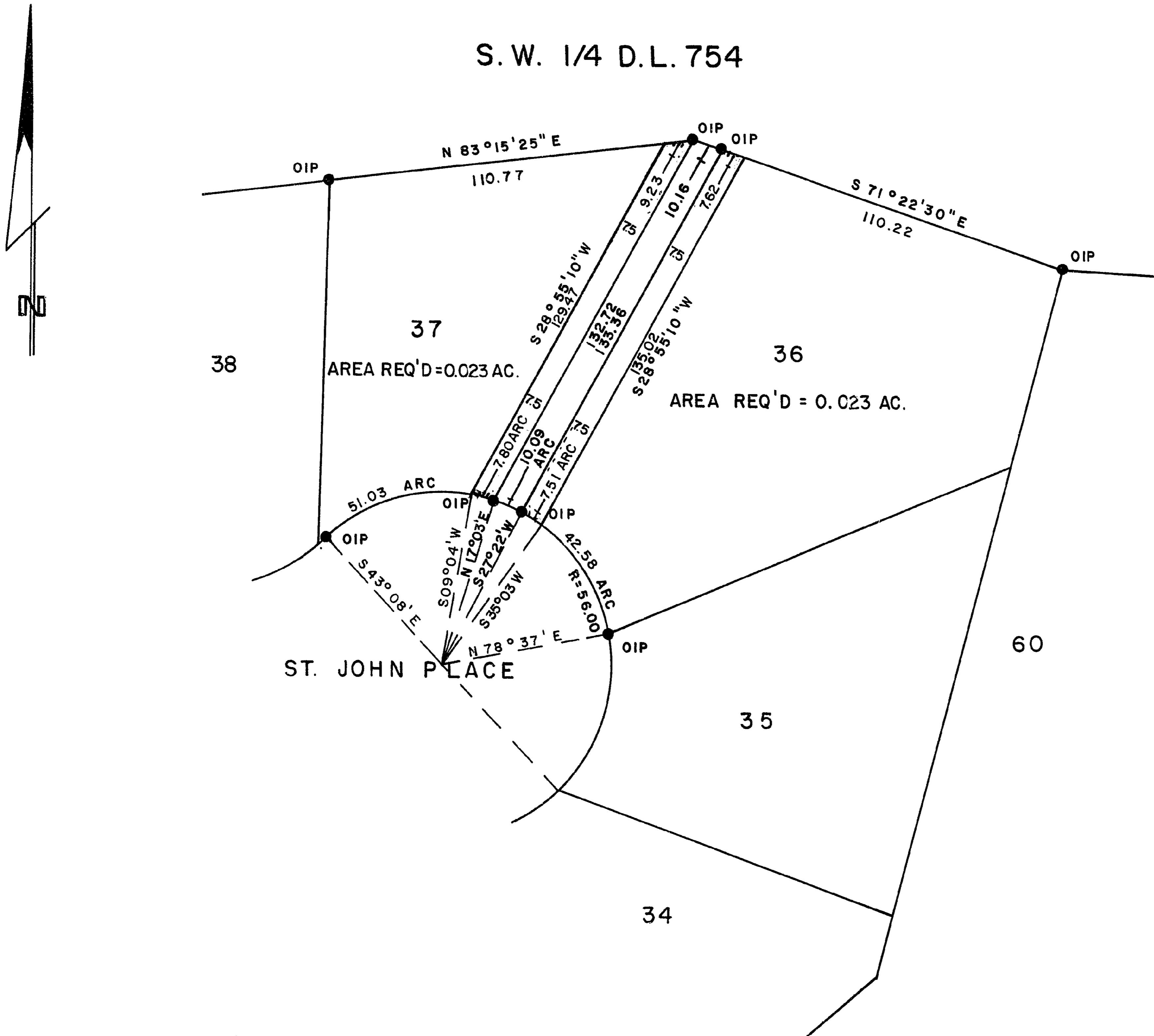
NOTE: Bearings are astronomic, derived from the
 north boundary of Lot 37, Plan 25106.

LEGEND: ●OIP denotes an old iron pin found.

"E.T. SCHOOLEY" per: gs
 Registrar

BOOK OF REFERENCE

PARCEL	AREA REQ'D
LOT 36, PLAN 25106, D.L. 754	0.023 AC.
LOT 37, PLAN 25106, D.L. 754	0.023 AC.



I, DONALD A. DUFFY of the City of Prince George,
 a British Columbia Land Surveyor, make oath and say
 that I was present at and did personally superintend
 the survey represented by this plan and that the survey
 and plan are correct. The said survey was completed
 on the 27th day of April, 1979.

[Signature]
 B.C.L.S.

Sworn before me this 28
 day of July, 1979

[Signature]
 A Commissioner for taking Affidavits
 for British Columbia.

This plan lies within the Fraser-Fort George
 Regional District.

W. D. USHER & ASSOCIATES
 LAND SURVEYORS
 PRINCE GEORGE — B. C.
 7888 C