

EXPLANATORY PLAN OF RIGHT - OF - WAY  
OVER PORTIONS OF LOTS 4,12,21 AND 29,  
BLOCK 4, D.L. 8178, CARIBOO DISTRICT,  
PLAN 17368. (FOR POWER DISTRIBUTION PURPOSES)

PLAN No. 19161

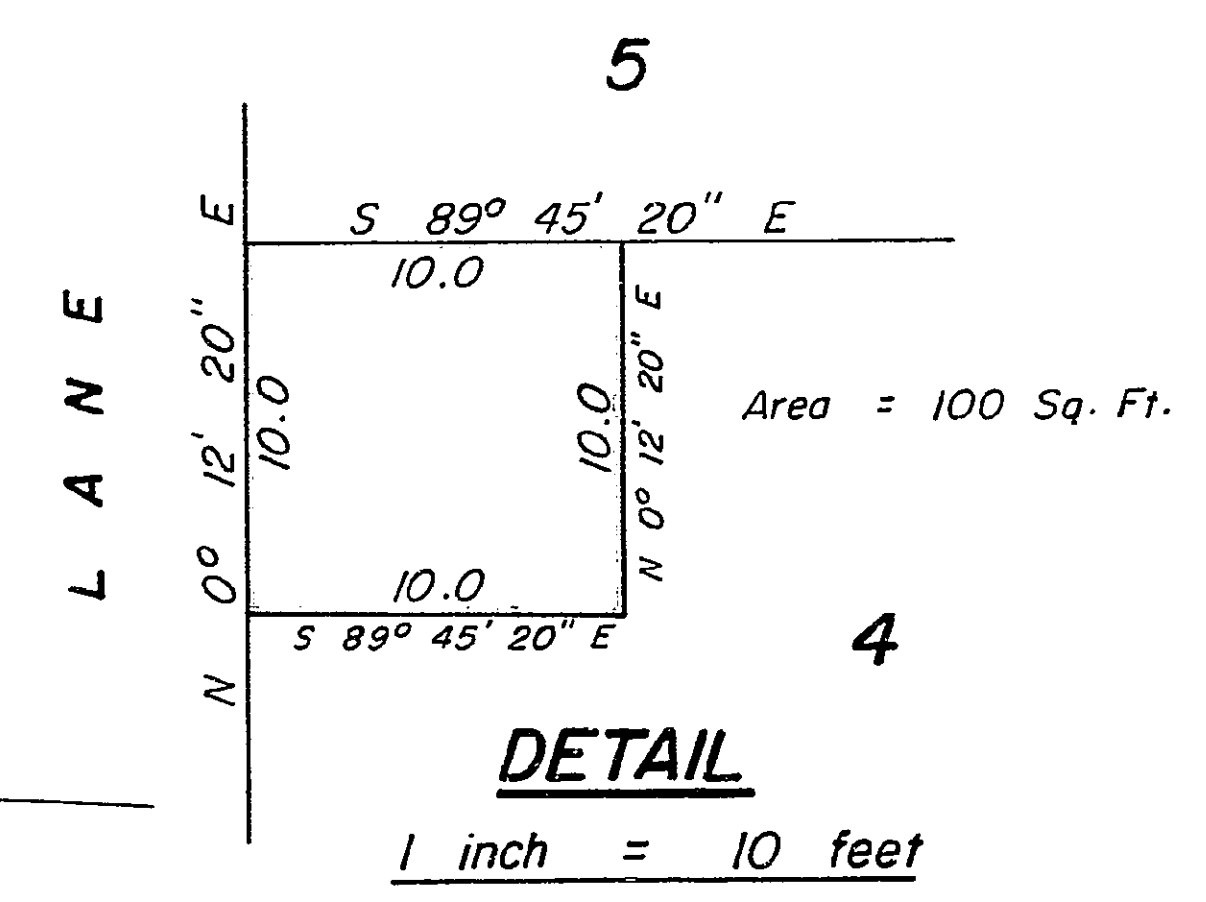
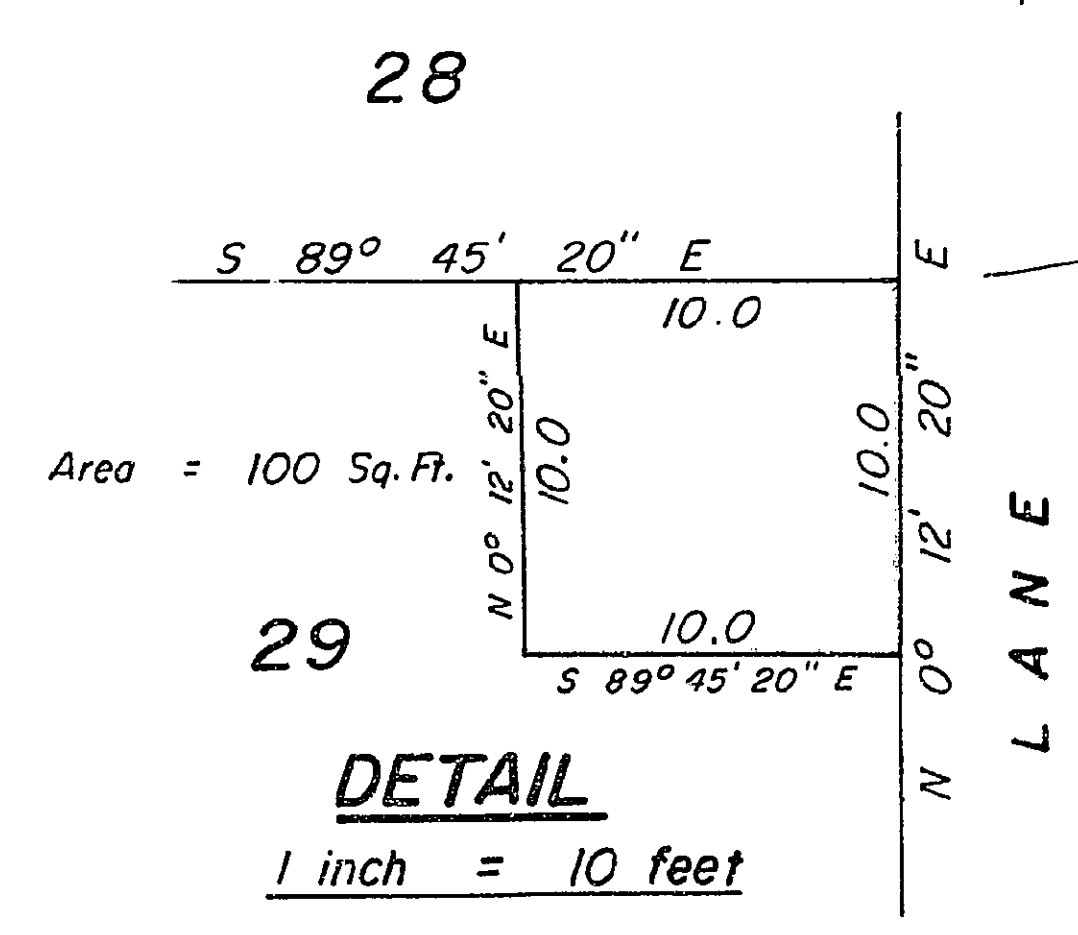
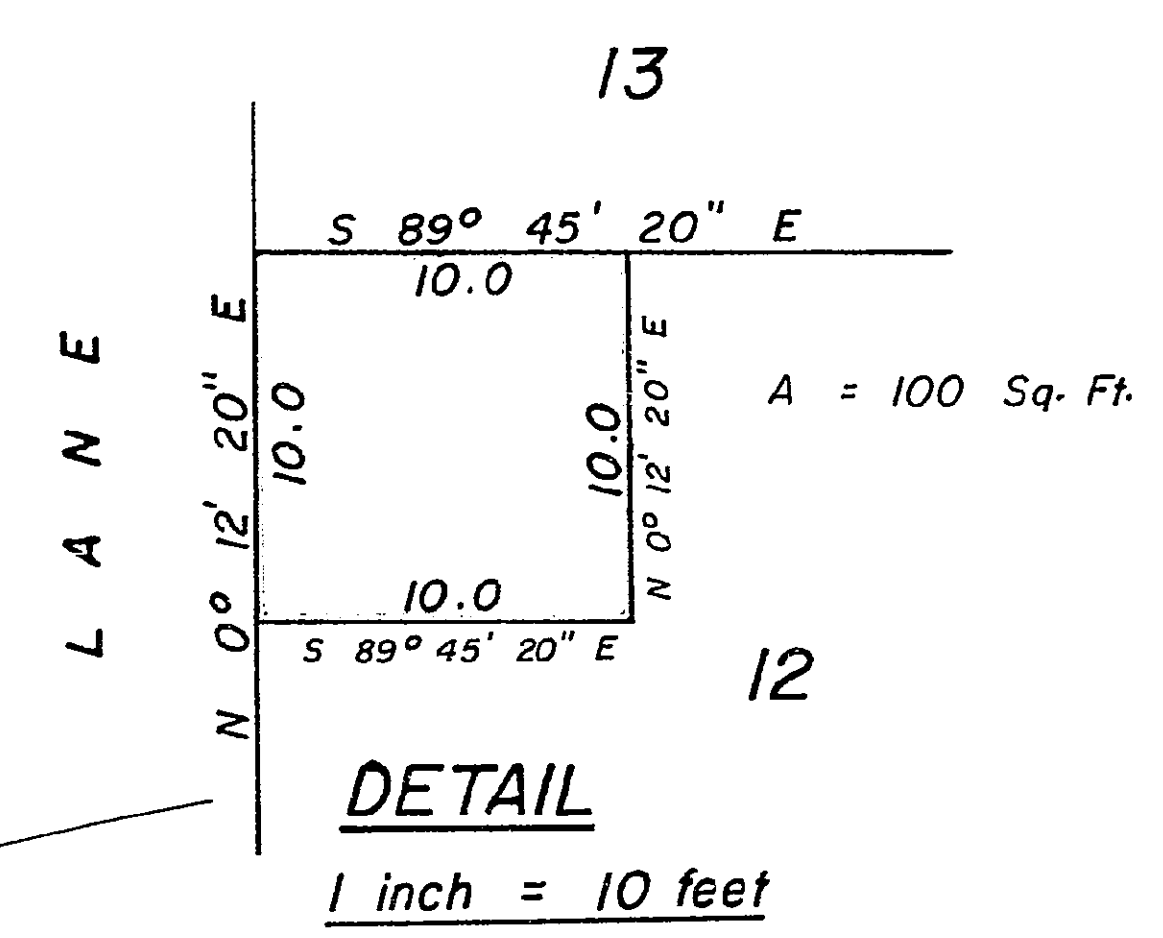
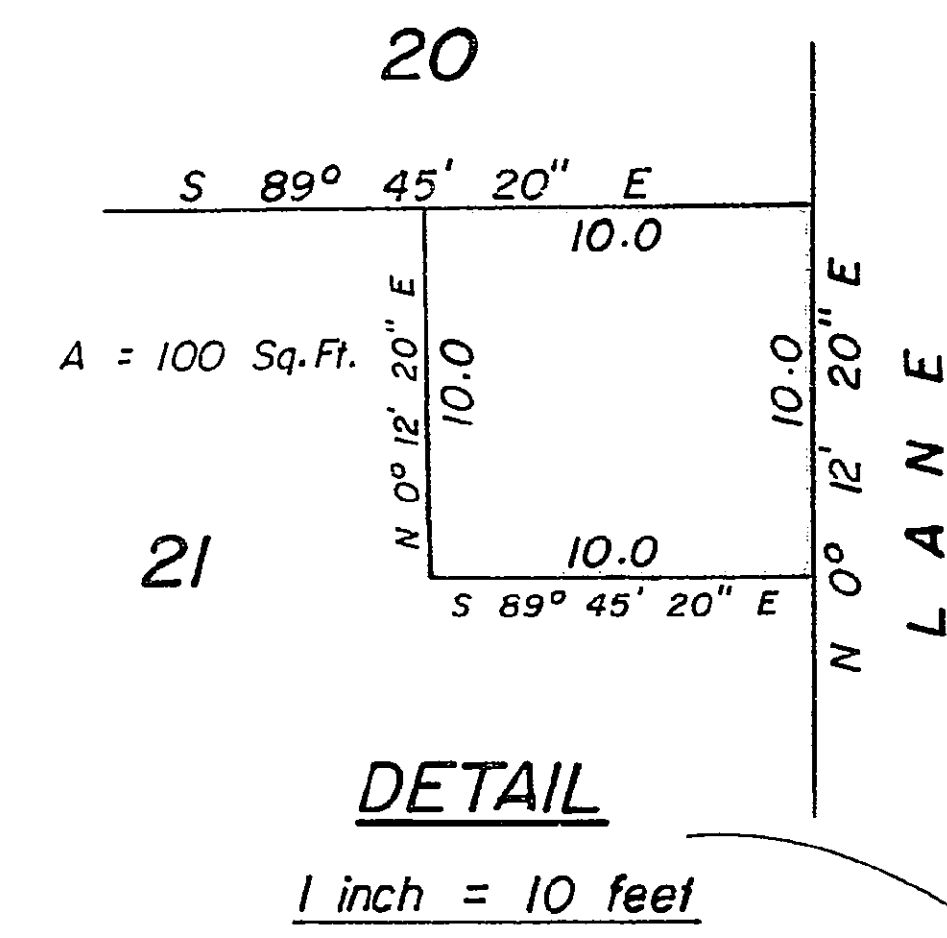
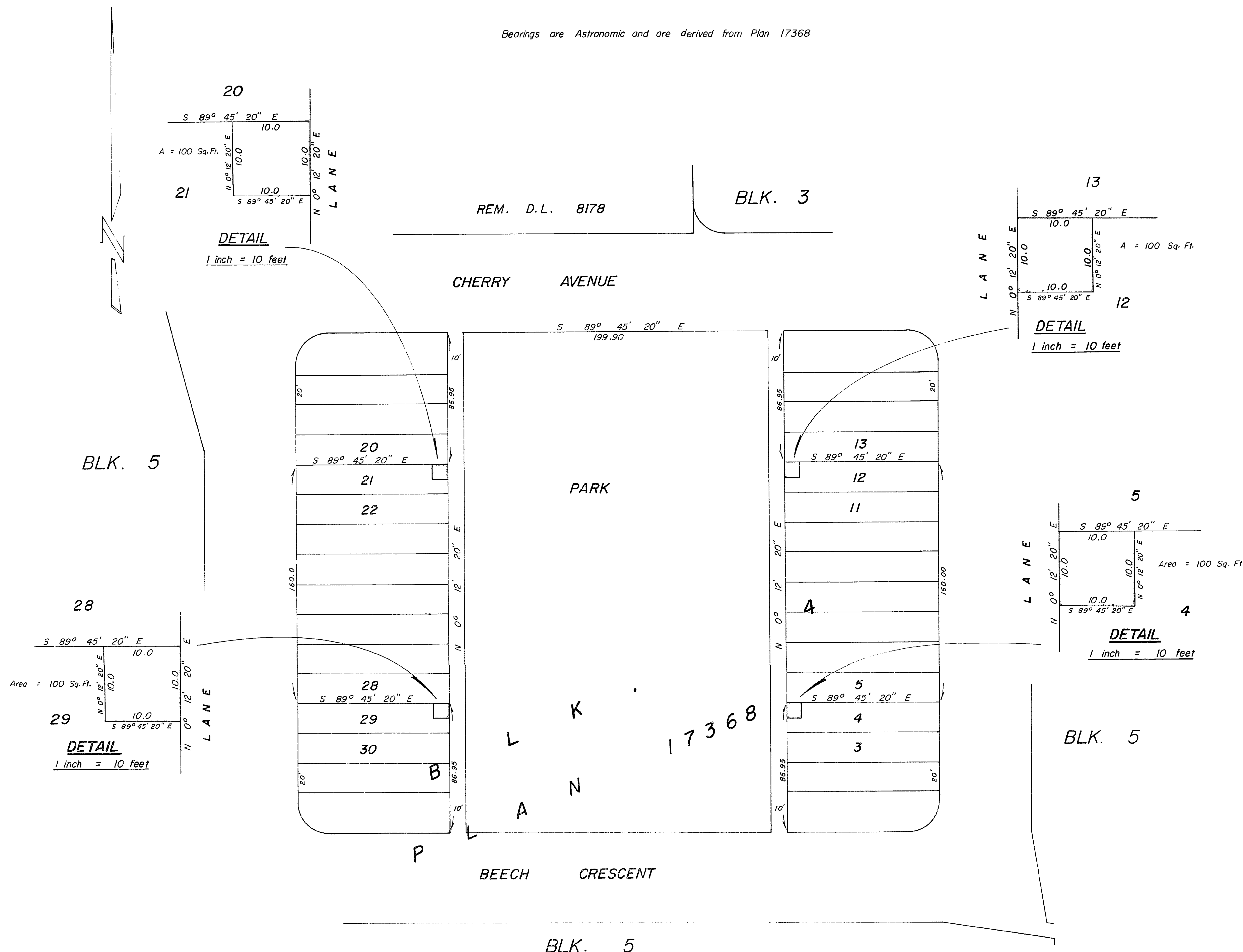
Deposited in the Land Registry Office  
at Prince George this 5<sup>th</sup> day  
of FEBRUARY, 1971...

*John H. Bracey*  
REGISTRAR

SCALE: 1 inch = 50 feet

Bearings are Astronomic and are derived from Plan 17368

This plan lies within the Fraser - Fort George  
Regional District.



Certified correct according to Land Registry  
Office Records this 18<sup>th</sup> day  
of December 1971.  
*John H. Bracey*  
B.C.L.S.