

1100 P-2
City of Prince George
HISTORY SHEET

005008115-1

SHEET NUMBER **5396** Roll Number

Legal: LOT'S **11** BLOCK **306** D.L. **343** PLAN **1268**

Address: **1872 QUEENSWAY**

Sanitary Connection: # **1561** SIZE MATERIAL INV. **1891.44** CONNECTED

Water Connection # **628** SIZE **1/2"** MATERIAL METER CONNECTED

Storm Connection: # SIZE MATERIAL INV. CONNECTED

Cash Receipt No's: WATER SANITARY STORM

CURB FROM PROPERTY LINE PAVEMENT WIDTH

B.C. HYDRO **O.H.** UNDERGROUND CONNECTION

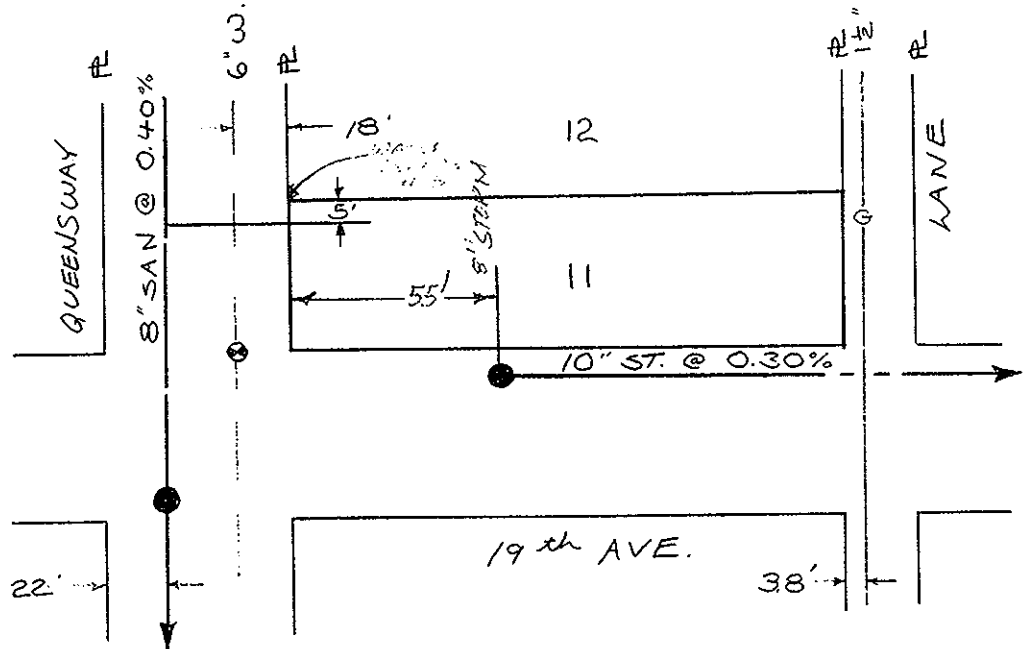
B.C. TELEPHONE **O.H.** UNDERGROUND CONNECTION

INLAND GAS **AS SHOWN**

Information Sheets:

Comments: **S. 112 1898.35**

SITE PLAN N.T.S.



NOW POC
City of Prince George
HISTORY SHEET

005 008/15-2

SHEET NUMBER **5397** Roll Number

Legal: LOT'S **12** BLOCK **306** D.L. **343** PLAN **1268**

Address: **1864 QUEENSWAY**

Sanitary Connection: # **1560** SIZE MATERIAL INV. **1892.00** CONNECTED

Water Connection # **629** SIZE **1/2"** MATERIAL METER CONNECTED

Storm Connection: # SIZE MATERIAL INV. CONNECTED

Cash Receipt No's: WATER SANITARY STORM

CURB FROM PROPERTY LINE PAVEMENT WIDTH

B.C. HYDRO **O.H.** UNDERGROUND CONNECTION

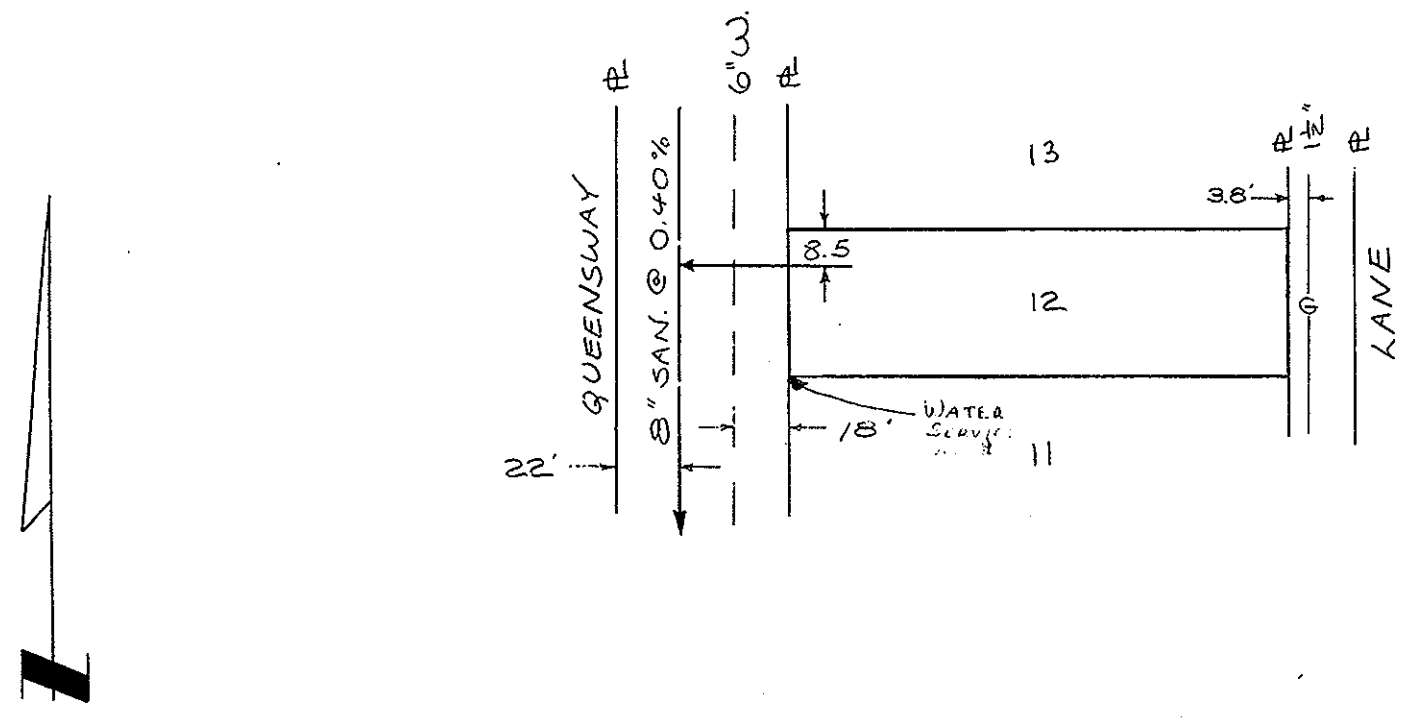
B.C. TELEPHONE **O.H.** UNDERGROUND CONNECTION

INLAND GAS **AS SHOWN**

Information Sheets:

Comments:

SITE PLAN N.T.S.



11000000

City of Prince George HISTORY SHEET

005008115-3

SHEET NUMBER **5398** Roll Number

Legal: LOT'S 13 & 14 BLOCK 306 D.L. 343 PLAN 1268

Address: 1856 QUEENSWAY

Sanitary Connection: # 317 SIZE MATERIAL INV. 1888.64 CONNECTED

Water Connection # 630 SIZE 1/2" MATERIAL METER CONNECTED

Storm Connection: # SIZE MATERIAL INV. CONNECTED

Cash Receipt No's: WATER SANITARY STORM

CURB FROM PROPERTY LINE PAVEMENT WIDTH

B.C. HYDRO O.H. UNDERGROUND CONNECTION

B.C. TELEPHONE O.H. UNDERGROUND CONNECTION

INLAND GAS AS SHOWN

Information Sheets:

Comments:

SITE PLAN N.T.S.

