

City of Prince George HISTORY SHEET

004714214
776

SHEET NUMBER **N^o 4882** Roll Number

Legal: **LOT'S Amd 13-14** BLOCK 4 D.L. 1429 PLAN 646

Address: **1112 DOUGLAS STREET**

Sanitary Connection: # **1455** SIZE MATERIAL INV. CONNECTED

Water Connection # **1320** SIZE **3/4"** MATERIAL **COPPER** METER CONNECTED

Storm Connection: # SIZE MATERIAL INV. CONNECTED

Cash Receipt No's: WATER SANITARY STORM

CURB FROM PROPERTY LINE PAVEMENT WIDTH

B.C. HYDRO UNDERGROUND CONNECTION

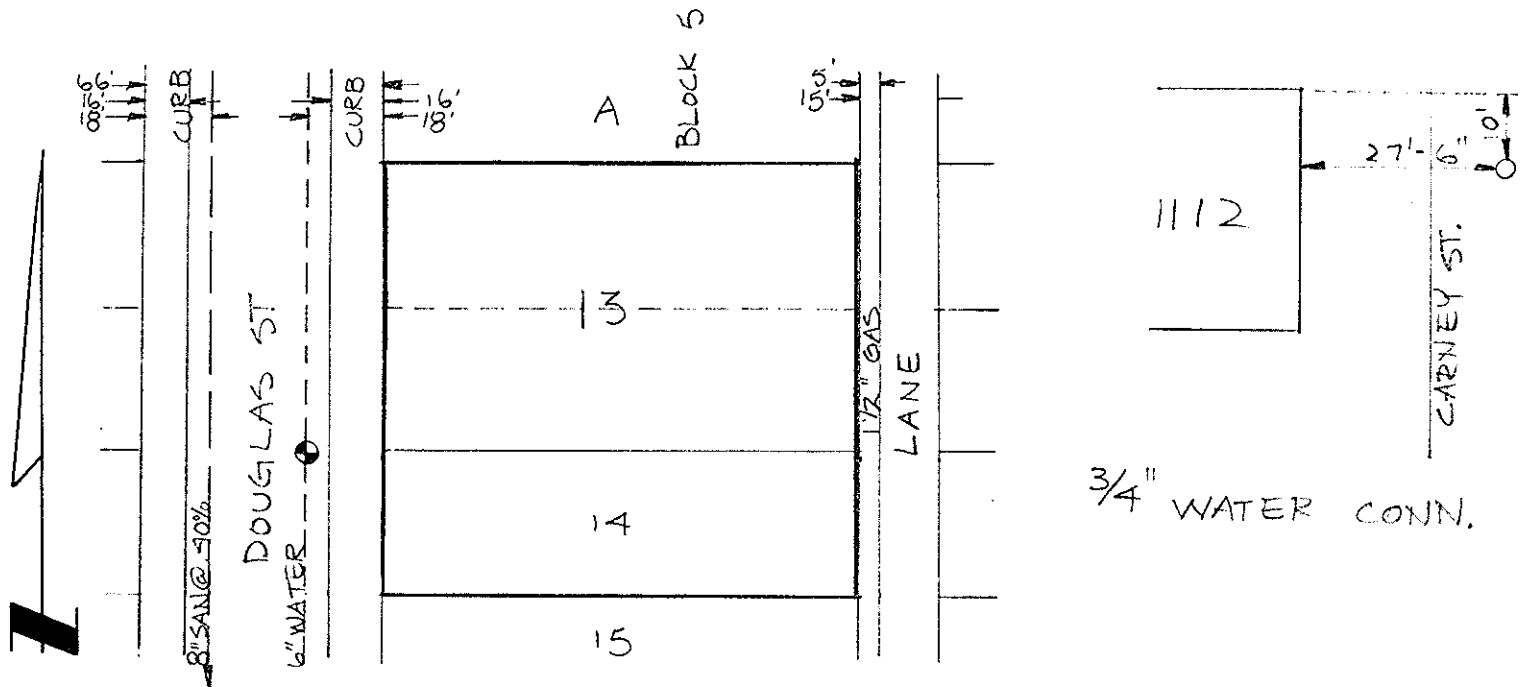
B.C. TELEPHONE UNDERGROUND CONNECTION

INLAND GAS

Information Sheets:

Comments:

SITE PLAN N.T.S.



3/4" WATER CONN.