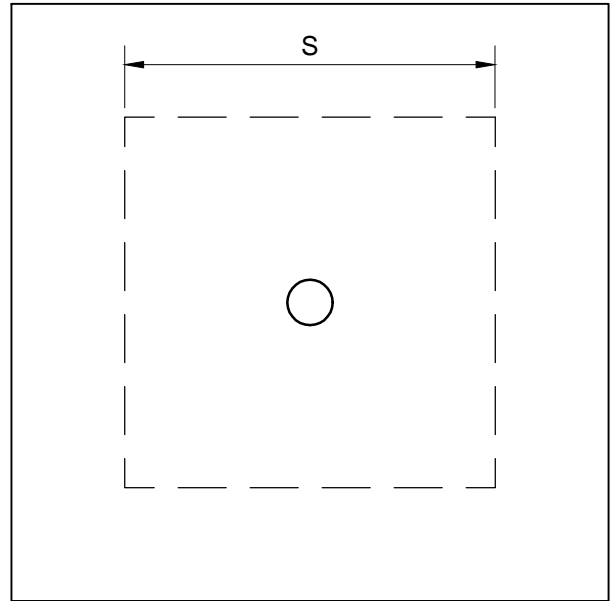
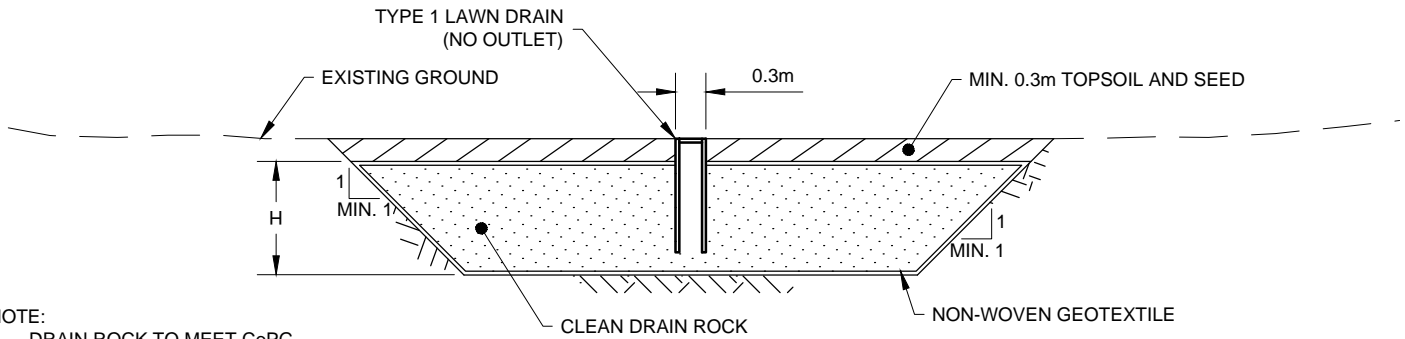


PLAN - CIRCULAR OPTION
N.T.S.



PLAN - SQUARE OPTION
N.T.S.

S	4.9m
R	2.75m
H	1.5m
Storage Vol.	14m ³



SECTION
N.T.S.

NOTE:

1. DRAIN ROCK TO MEET CoPG SPECIFICATIONS:

SIEVE SIZE	% PASSING
25mm	100
19mm	0-100
9.5mm	0-5
4.75mm	0

2. NON-WOVEN GEOTEXTILE TO HAVE A MINIMUM BURST STRENGTH OF 1800N AND A MAXIMUM APPARENT OPENING SIZE OF 0.22mm

THIS DRAWING HAS BEEN PREPARED FOR THE CLIENT IDENTIFIED, TO MEET THE STANDARDS AND REQUIREMENTS OF THE APPLICABLE PUBLIC AGENCIES. MCELHANNY CONSULTING SERVICES LTD., ITS EMPLOYEES, SUBCONSULTANTS AND AGENTS ACCEPT NO RESPONSIBILITY TO ANY OTHER PARTY, INCLUDING CONTRACTORS, SUPPLIERS, CONSULTANTS AND STAKEHOLDERS, OR THEIR EMPLOYEES OR AGENTS, FOR LOSS OR LIABILITY INCURRED AS A RESULT OF THEIR USE OF THESE DRAWINGS.

No.	Date	Revision	Dr.

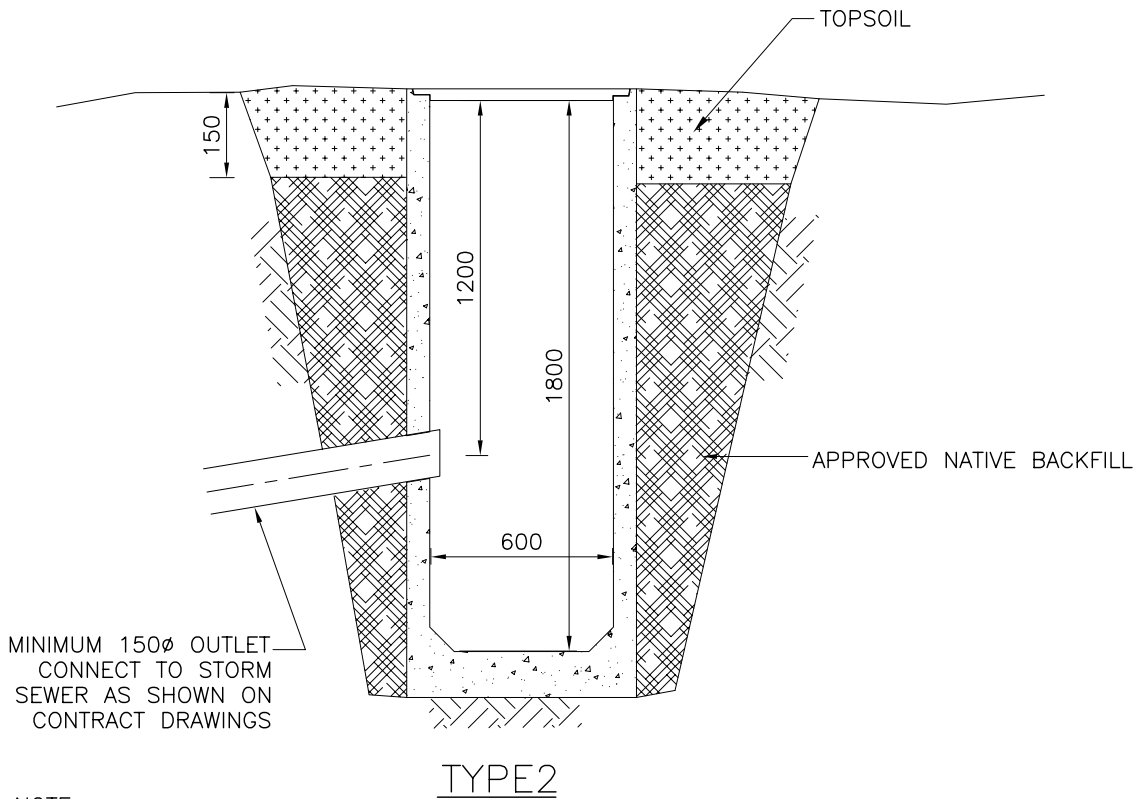
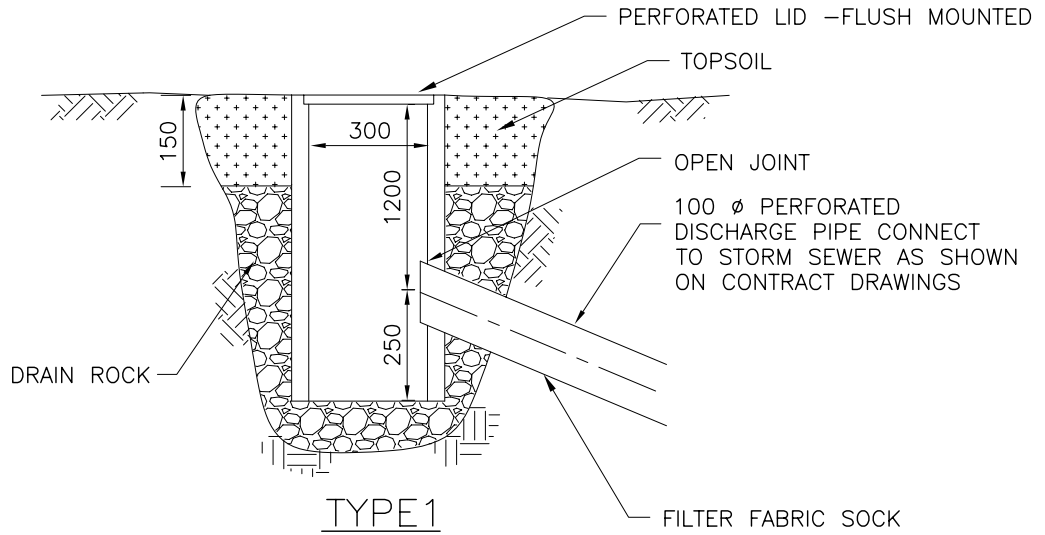
Designed: LMP Checked: - Date: 14/07/08
 Drawn: JTT Surveyed:
McElhannay
 McElhannay Consulting Services Ltd.
 1883 FIRST AVENUE PH: (250) 561-2224
 PRINCE GEORGE B.C. V2L 2Y9 FAX: (250) 560-1941

DRAINAGE PIT DESIGN DETAIL
7232 HART HIGHWAY

CIENT_PROJECT_NO	
CIENT_DRAWING_NO	
MCSL Project No.	2342-06213-0
Drawing No.	A1
Sheet 1 of 1	Revision 0



LAWN DRAINS



NOTE:

1. REFER TO CONTRACT DRAWINGS AND SECTION 02630 FOR DETAILED SPECIFICATIONS.
2. ALTERNATIVE RECHARGE CHAMBERS DESIGNED BY PROFESSIONAL ENGINEER MAY BE SUBSTITUTED WHEN APPROVED BY DIRECTOR.

2004

DATE OF REVISION	REVISION NUMBER	SCALE	DRAWING NUMBER
JUN 2004	0	N.T.S.	S12